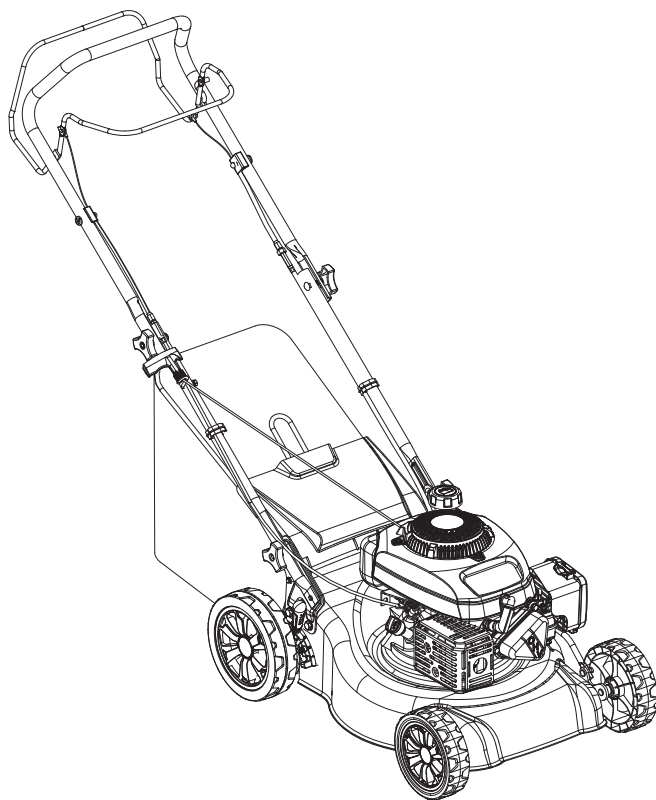


Petrol Lawnmower

138 cm³



Original Instructions – FPLMP138_GB_V04_20180927

FPLMP138

EAN: 3663602423287



WARNING: Read the instructions before using the product!

Let's get started...

These instructions are for your safety. Please read through them thoroughly before use and retain them for future reference.



Getting Started...

02

Safety information 03

Your product 12

Before you start 16

Quick start 24



In more detail...

26

Product functions 27

Operation 31

Care and **maintenance** 34

Troubleshooting 44

Recycling and **disposal** 46

Guarantee 46

EC declaration of conformity 47

Safety warnings

Petrol powered lawnmowers safety warnings



IMPORTANT

Read carefully before use.
Keep for future reference.



WARNING! Your safety and the safety of others is very important. Of course, it is not practical or possible to warn you about all the hazards associated with operating or maintaining this product. At all times you must use your own good judgment.

Training

1. Read the instructions carefully. Be familiar with the controls and the proper use of the product.
2. Never allow children or people unfamiliar with these instructions to use the product. Local regulations can restrict the age of the operator.
3. Never mow while people, especially children or pets, are nearby.
4. Keep in mind that the operator or user is responsible for accidents or hazards occurring to other people or their property.
5. The operators must receive a proper training in the use, adjustment and operation of the product, including prohibited operations.

Preparation

1. While mowing, always wear protective footwear and long trousers. Do not operate the product when barefoot or wearing open sandals.
2. Thoroughly inspect the area where the product is to be used and remove all stones, sticks, wires, bones, and other foreign objects.
3. **WARNING** - Petrol is highly flammable.
 - Store fuel in containers specifically designed for this purpose.
 - Refuel outdoors only and do not smoke while refuelling.
 - Add fuel before starting the engine. Never remove the fuel tank cap or add petrol while the engine is running or when the engine is hot.
 - If petrol is spilt, do not attempt to start the engine. Move the product away from the area of spillage and avoid creating any source of ignition until fuel vapours have dissipated.
 - Replace all fuel tank and container caps securely.
4. Replace faulty silencers.

5. Before using, always visually inspect to see that the blades, blade bolts and cutter assembly are not worn or damaged. Replace worn or damaged blades and bolts in sets to preserve balance.
6. **CAUTION!** Do not touch rotating cutting means.
7. Engine brake (brake clutch): Use the brake clutch to stop the engine. When you release the bar, the engine and the blade stop automatically in a few seconds. To mow, hold the bar in the working position. Before you start to mow, check the brake clutch several times to be sure that it is working correctly. Ensure that the brake wire can be smoothly operated (e.g. is not catching or kinking in any way).

Operation

1. Do not operate the engine in a confined space where dangerous carbon monoxide fumes can accumulate.
2. Mow only in daylight or in good artificial light.
3. Do not operate the product while being tired, ill or under the influence of alcohol or drugs.
4. Avoid operating the product in wet grass, where feasible.
5. Always be sure of your footing on slopes.
6. Walk, never run.
7. Mow across the face of slopes, never up and down.
8. Exercise extreme caution when changing direction on slopes.
9. Do not mow excessively steep slopes, near drop-offs, ditches or embankments.
10. Avoid using the product in bad weather conditions especially when there is a risk of lightning.
11. Use extreme caution when reversing or pulling the product towards you.
12. Stop the blade(s) if the product has to be tilted for transportation when crossing surfaces other than grass, and when transporting the product to and from the area to be mowed.
13. Never operate the product with defective guards, shields, or without safety devices, for example deflectors and/or grass catchers, in place.
14. Do not change the engine governor settings or overspeed the engine.
15. Disengage the drive clutch before starting the engine.
16. Do not alter or tamper with any sealed adjustments for the engine speed control.
17. Do not tamper or disable any product's safety systems or features.
18. Ensure and regularly check that all starting interlocks and operator presence controls are functioning correctly.
19. Stop the product according to instructions in this manual before leaving the operator's position and park it in a safe location.
20. Start the engine carefully according to instructions and with feet well away from the blades.

21. Do not tilt the product when starting the engine or switching on the engine, except if the product has to be tilted for starting. In this case, do not tilt it more than necessary and lift only the part which is away from the operator. Always ensure that both hands are in the operating position before returning the product to the ground.
22. Keep hands and feet away from the cutting means at all times and especially when switching on the engine.
23. Do not put hands or feet near or under rotating parts. Keep clear of the discharge opening at all times.
24. Never pick up or carry a product while the engine is running.
25. In case of any situation mentioned below, stop the engine and disconnect the spark plug connector. Make sure that all moving parts have come to a complete stop and, where a key is fitted remove the key:
 - before clearing a blockage or unclogging chute,
 - before checking, cleaning or working on the product,
 - after striking a foreign object. Inspect the product for damage and make repairs as necessary
 - if the product starts to vibrate abnormally (check immediately)
 - > inspect for damage
 - > replace or repair any damaged parts
 - > check for and tighten any loose parts
 - whenever you leave the product
 - before refuelling
26. Never touch the exhaust, exhaust guard or cooling fins when the engine is hot.
27. Never carelessly touch hot parts of the product. While the product is in operation and shortly after that, its parts such as the exhaust, engine, and other surfaces are extremely hot! **Risk of burns!** Pay attention to the markings on the product.
28. Make sure that the air vents of the combustion engine are clear. Keep the air vents free of dust, dirt particles, gases and fumes.
29. Never start or run the engine indoors. The exhaust fumes are dangerous, containing carbon monoxide, an odourless and deadly gas. Operate this product only in well-ventilated outdoor areas.

Maintenance and storage

1. Follow the maintenance and repair instructions of this product. Never carry out any modifications of the product. Never change the preset governor speed or the engine and product settings. Information about maintenance and repair are provided in this instruction manual.
2. Keep all nuts, bolts and screws tight to be sure that the product is in safe working condition.
3. Improper maintenance or using non-genuine parts not recommended by the manufacturer may lead to malfunction/failure of the product. Many accidents are caused by poorly maintained products.

4. Never store the product with petrol in the tank inside a building where fumes can reach an open flame or spark.
5. To reduce the fire hazard, keep the engine, silencer and petrol storage area free of vegetative material and excessive grease.
6. Allow the engine to cool before storing in any enclosure.
7. Check the grass catcher frequently for wear or deterioration.
8. If the fuel tank has to be drained, this should be done outdoors.
9. Wear protective gloves when removing and re-assembling the cutting means.
10. Replace worn or damaged parts for safety. Only use replacement blades and spare parts recommended by the manufacturer.
11. Ensure that only replacement cutting means of the right type are used.

Fuel handling

1. Before refuelling, stop the engine, disconnect the spark plug connector and let the product cool. Fuel and fuel vapour are highly flammable. Take care when handling fuel. Never smoke when you are refuelling the product. Do not refuel the product, if there is an open fire in the vicinity!
2. Always use suitable aids such as funnels and filler necks. Do not spill any fuel on the product or its exhaust system. There is a risk of ignition. Remove spilt fuel carefully from all parts of the product. Any residue which may be present must be completely removed before the product is operated!
3. Fuel fumes can ignite. Never use the product in environments where there is a risk of explosion.
4. Petrol engines produce toxic carbon monoxide exhaust fumes. Breathing carbon monoxide can cause nausea, fainting or even death.
5. Never breathe in any fuel fumes, when you are refuelling the product. Never fill the fuel tank in enclosed spaces, such as basements or sheds. There is a risk of poisoning and explosion!
6. Avoid skin contact with petrol.
7. Do not eat or drink, while you are refuelling the product. If you have swallowed petrol or oil, or if petrol or oil has got into your eyes, then seek medical advice immediately.
8. Close the fuel tank cap immediately after filling the fuel tank. Make sure that it is properly closed.
9. Never use the product without an air filter.
10. Fuel vapour pressure may build up inside the fuel tank depending on the fuel used, weather conditions and the venting system. To reduce the risk of burns and other personal injuries, remove the fuel tank cap carefully to allow any pressure build-up to release slowly.
11. Be aware of fire risks, explosion and inhalation risks.
12. Do not smoke while operating the product, handling fuel or near fuel.
13. Ensure the spark plug connector is securely attached. A loose connector may cause electrical arcing that could ignite combustible fumes and cause a fire or explosion.

14. Check regularly for leaks from the fuel tank cap and fuel lines.
15. Tighten the fuel tank cap thoroughly after refilling the fuel tank.
16. Do not operate the product if it is leaking fuel. Do not remove the fuel tank cap while the engine is running.
17. Use caution when handling fuel. To avoid any accidental fires, move the product at least 3 metres from the fuelling point before starting the engine.
18. Do not store containers filled with fuel or refill the fuel tank in any place where there is a boiler, stove, wood fire, electrical sparks, welding sparks, or other sources of heat or fire which might ignite the fuel.
19. If any fuel spillage occurs during refuelling, use a dry rag to wipe spills and allow remaining fuel to evaporate before starting the engine again.
20. If you have spilt fuel on yourself or on your clothes, change your clothes and wash any part of your body that has come in contact with fuel before starting the engine again.
21. If fuel is ignited, put out the fire with a dry powder fire extinguisher.
22. Store fuel in containers specifically designed for this purpose.

Vibration and noise reduction

To reduce the impact of noise and vibration emission, limit the time of operation, use low-vibration and low-noise operating modes as well as wear personal protective equipment.

Take the following points into account to minimise the vibration and noise exposure risks:

1. Only use the product as intended by its design and these instructions.
2. Ensure that the product is in good condition and well maintained.
3. Use correct attachments for the product and ensure they in good condition.
4. Keep a tight grip on the handles/gripping surfaces.
5. Maintain this product in accordance with these instructions and keep it well lubricated (where appropriate).
6. Plan your work schedule to spread any high vibration tool use across a longer period of time.

Emergency

Familiarise yourself with the use of this product by means of this instruction manual. Memorise the safety directions and follow them to the letter. This will help to prevent risks and hazards.

1. **Always be alert when using this product, so that you can recognise and handle risks early.** Fast intervention can prevent serious injury and damage to property.
2. **Stop the engine and disconnect the spark plug connector if there are malfunctions.** Have the product checked by a qualified professional and repaired, if necessary, before you operate it again.
3. **In case of fire stop the engine and disconnect the spark plug connector.** Take fire-extinguishing measures immediately if the product switch is no longer accessible.



WARNING! Never use water to extinguish the product on fire. Burning fuel must be extinguished with special extinguishing agents! We recommend that you keep a suitable fire extinguisher within reach in your work area! We recommend to have dry powder fire extinguisher always available.

Residual risks

Even if you are operating this product in accordance with all the safety requirements, potential risks of injury and damage remain. The following dangers can arise in connection with the structure and design of this product:

1. Health defects resulting from vibration emission if the product is used over long periods of time or not adequately managed and properly maintained.
2. Injuries and damage to property due to broken application tools or the sudden impact of hidden objects during use.
3. Danger of injury and property damage caused by flying objects.
4. Burns, if touching hot surfaces.



WARNING! This product produces an electromagnetic field during operation! This field may under some circumstances interfere with active or passive medical implants! To reduce the risk of serious or fatal injury, we recommend persons with medical implants to consult their doctor and the medical implant manufacturer before operating this product!




Symbols

On the product, the rating label and within these instructions you will find among others the following symbols and abbreviations. Familiarise yourself with them to reduce hazards like personal injuries and damage to property.

kW	Kilowatt	ml	Millilitre
cm ³	Cubic centimetre	g/kWh	Gram per kilowatt per hour
/min or min ⁻¹	Per minute	kg/h	Kilogram per hour
mm	Millimetre	°C	Degree Celsius
cm	Centimetre	dB(A)	Decibel (A-rated)
kg	Kilogram	m/s ²	Metres per second squared
l	Litre		

mm.yyyy Manufacturing date code; year of manufacturing (yyyy) and month of manufacturing (mm)

Description of signal words:

-  **DANGER!** The signal word that indicates a hazard with a high level of risk which, if not avoided, will result in death or serious injury.
-  **WARNING!** The signal word that indicates a hazard with a medium level of risk which, if not avoided, could result in death or serious injury.
-  **CAUTION!** The signal word that indicates a hazard with a low level of risk which, if not avoided, could result in minor or moderate injury.
- NOTE!** Indicates a practical tip, advice or practice not related to personal injury.



Lock/to tighten or secure.



Wear respiratory protection.



Unlock/to loosen.



Wear hearing protection.
Wear eye protection.



Note/Remark.



Wear protective gloves.



Caution/Warning.
Read the instruction manual.



Wear protective, slip-resistant safety footwear.



Mow across the face of slopes, never up and down.



Press the primer 3 times before starting the cold engine.



Inspect the area where the product is to be used and remove all objects which can be thrown by the product. If objects are hidden while operating, stop the engine and remove the objects.



Keep hands and feet away from sharp rotating parts – risk of injury! When cleaning, repairing or inspecting, make sure the cutting means and all moving parts have stopped. Disconnect the spark plug connector, and keep the cap away from the plug to prevent accidental starting.



Cutting means continues to rotate after the engine is stopped. Wait until all components have completely stopped before touching the product.



Pay particular attention when working on the blades!



Objects thrown by the product could hit the operator or other bystanders. Always ensure that other people and pets remain at a safe distance from the product when it is in operation. In general, children must not come near the area where the product is operating.



Release the brake clutch to stop the engine and the cutting means.



Pull the drive clutch to engage the wheels. The lawnmower starts to move forward.



Engine manual start; recoil starter.



Guaranteed sound power level value in dB.

FPLMP138

Designation of the tool
(FP_Brand Name; LM_Lawn Mower; P_Petrol power)



The product complies with the applicable European directives and an evaluation method of conformity for these directives was done.



Wear tight-fitted protective clothing.



Do not expose the product to rain or wet conditions.



Open flames in the work area, around the product and in the vicinity of flammable materials are prohibited!



Do not smoke in the work area, around the product and in the vicinity of flammable materials!



Risk of fire/flammable materials.



Hot surface, do not touch! High temperatures on the product's surfaces and structural parts that could cause burns, if they are touched. The product can also stay hot for a longer period of time after the operation!



Petrol engines produce toxic carbon monoxide exhaust fumes. Breathing carbon monoxide can cause nausea, fainting or even death. Do not operate the engine indoors!



Only refuel unleaded petrol!



Add engine oil.



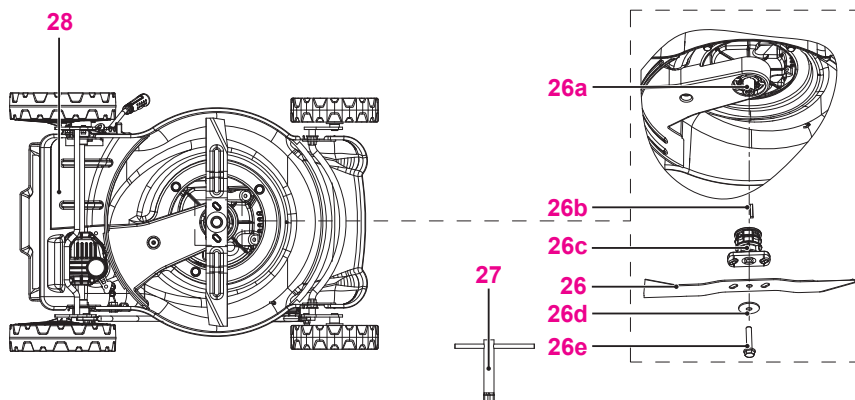
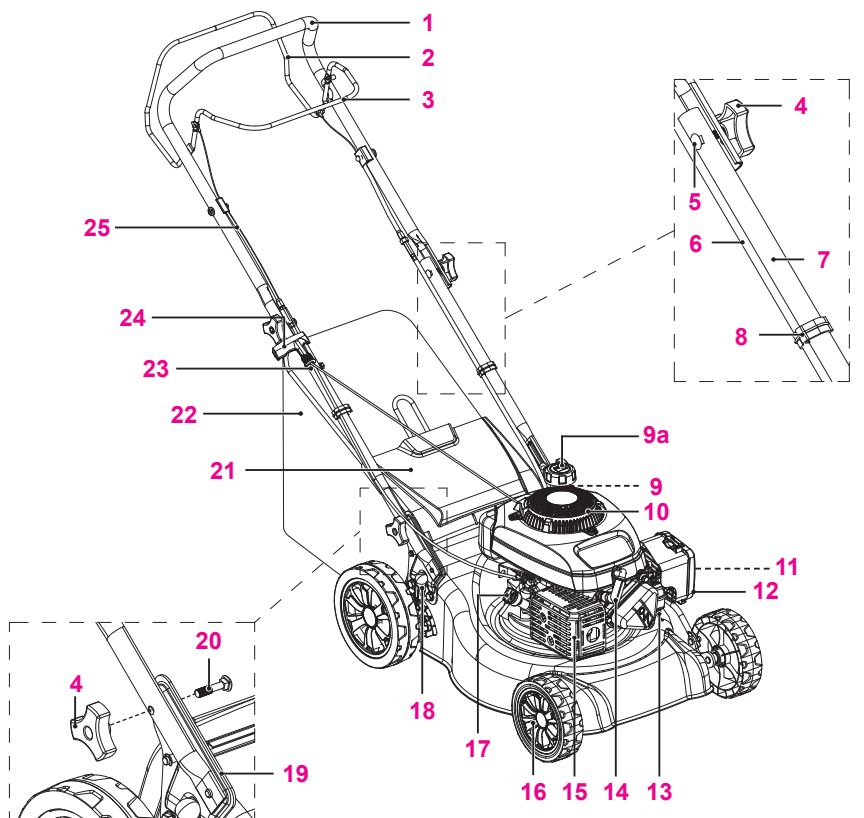
Check and refill oil.



Stop the engine before refuelling the fuel tank. Flammable material. Keep away from fire. Do not add fuel with a running engine.



Stop the engine and disconnect the spark plug connector before assembly, cleaning, adjustments, maintenance, storage and transportation.



1. Upper handle bar
2. Drive clutch
3. Brake clutch
4. Locking knob with M8 nut (x4)
5. Bolt M8x43 mm (x2)
6. Drive wire
7. Lower handle bar
8. Wire clip (x2)
9. Fuel tank
 - a. Fuel tank cap
10. Air vents
11. Primer
12. Air filter case
 - a. Filter *
 - b. Cover *
13. Fuel drain screw
14. Spark plug connector
 - a. Spark plug *
15. Muffler
16. Wheel
17. Oil tank cap
18. Lever for cutting height adjustment
19. Handle support
20. Bolt M8x35 mm (x2)
21. Rear deflector guard
22. Grass catcher
 - a. Hook * (x2)
 - b. Handle *
23. Hook for recoil starter handle
24. Recoil starter handle
25. Brake wire
26. Cutting means (blade)
 - a. Spindle
 - b. Pin
 - c. Support
 - d. Washer
 - e. Hex bolt
27. Spark plug wrench
28. Discharge chute



NOTE: Parts marked with * are not shown in this overview. Refer to the respective section in the instruction manual.

Technical specifications

General

- > **Dimensions:** approx. ~~296~~ x ~~495~~ x ~~990~~ mm
- > **Machine mass with empty tanks and in the normal operating configuration:** approx. 23 kg
- > **Fuel tank capacity:** 900 ml (cm³)
- > **Petrol type:** #93, unleaded
- > **Engine oil capacity:** 400 ml (cm³)
- > **Engine oil type:** 4-stroke engine oil (e.g. SAE 10W-30)
- > **Specific fuel consumption at max. engine power:** 345 g/kWh
- > **Fuel consumption at max. engine power:** 1 kg/h
- > **Cutting means:** blade type: SMV 1816211
blade thickness: 2.5 mm
- > **Cutting width:** 40 cm
- > **Cutting height:** 25-75 mm
- > **Grass catcher volume:** 45 l

Engine

- > **Engine model:** SE560
- > **Engine type:** air cooled, 4-stroke engine
- > **Engine displacement:** 137.7 cm³
- > **Maximum operating engine speed (rotational frequency):** 2900 min⁻¹
- > **Nominal power:** 2.1 kW
- > **Spark plug type:** LD K7TC
- > **Spark plug gap:** 0.7-0.8 mm
- > **Carburettor:** SE560

Sound level

- > **Sound pressure level at operator's position L_{pA} :** 83.7 dB(A)
- > **Uncertainty K:** 3 dB(A)
- > **Sound power level L_{WA} :** 93.36 dB(A)
- > **Uncertainty K:** 2.34 dB(A)
- > **Guaranteed sound power level L_{WA} (acc. to 2000/14/EC amended by 2005/88/EC):** 96 dB(A)

Vibration level

- > **Hand-arm vibration a_{hw} :** 4.036 m/s²
- > **Uncertainty K:** 1.5 m/s²

The sound values have been determined according to noise test code given in [EN ISO 5395-1](#) and [EN ISO 5395-2](#), using the basic standards [ISO 3744](#) and [ISO 11094](#).

Wear hearing protection, especially when sound pressure is over 80 dB(A).

The declared vibration value has been measured in accordance with a standard test method (according to [EN ISO 5395-1](#) and [EN ISO 5395-2](#)) and may be used for comparing one product with another. The declared vibration value may also be used to evaluate the exposure for the user caused by vibration in advance.



WARNING! Depending on the actual use of the product the vibration values can differ from the declared total. Adopt proper measures to protect yourself against vibration exposures. Take the whole work process including times the product is running under no load or switched off into consideration! Proper measures include among others regular maintenance and care of the product and accessories, keeping hands warm, periodical breaks and proper planning of work processes!

Unpacking



NOTE: The product is heavy, ask another person for assistance if required.



1. Unpack all parts and lay them on a flat, stable surface.
2. Remove all packing materials and protective shipping materials, if applicable.
3. Make sure the delivery contents are complete and free of any damage. If you find that parts are missing or show damage do not use the product and contact your dealer. Using an incomplete or damaged product represents a hazard to operators and property.
4. Ensure that you have all the accessories and tools needed for assembly and operation. This also includes suitable personal protective equipment.



WARNING! The product and the packaging are not children's toys! Children must not play with plastic bags, sheets and small parts! There is a danger of choking and suffocation!

You will need

(items not supplied)

- > Suitable personal protective equipment
- > Fuel funnel with filter
- > Suitable engine oil (**SAE10W-30**)
- > Suitable fuel (unleaded petrol)
- > Container to collect fuel
- > Container to collect oil
- > Lubrication oil/grease
- > Foam air filter oil
- > Torque wrench (**40-45 Nm**)

(items supplied)

- > Spark plug wrench (**27**)

Assembly



WARNING! The product must be fully assembled before the operation!



Do not use a product that is only partly assembled or assembled with damaged parts!

Follow the assembly instructions step-by-step and use the pictures provided as a visual guide to assemble the product easily!

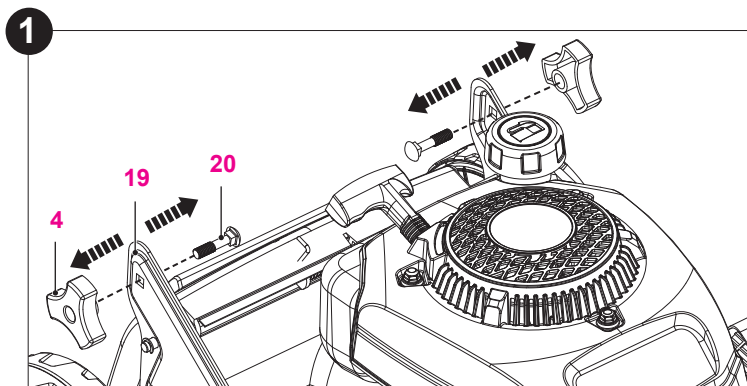
Disconnect the spark plug connector (14) from the spark plug! Reconnect it after assembly.



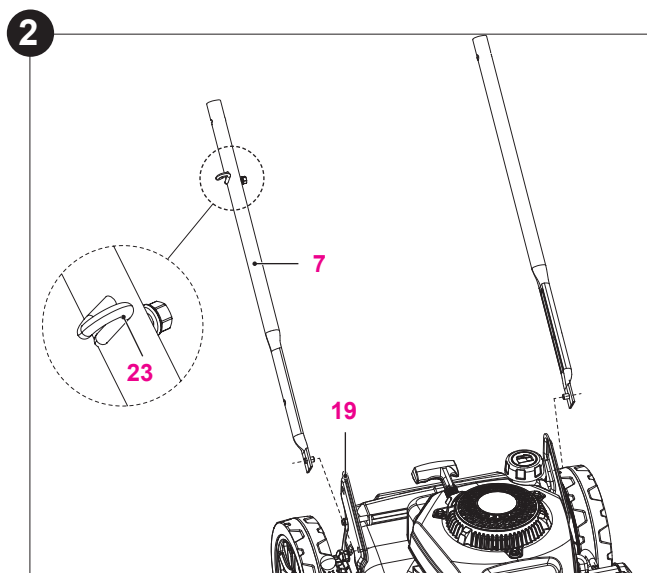
NOTE: Take care of small parts that are removed during assembly or when making adjustments. Keep them secure to avoid loss.

Handle bars

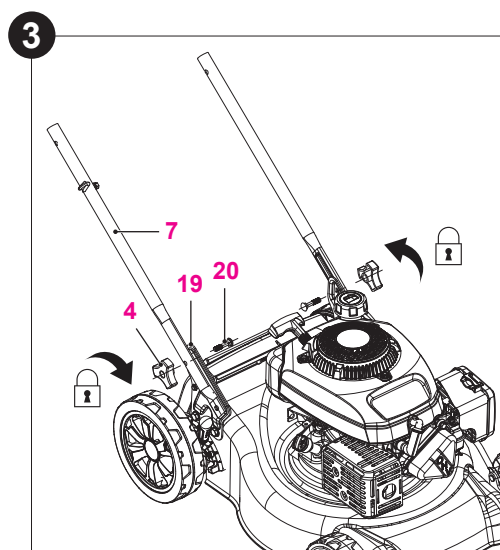
1. Remove the M8x35 bolts (20) and the locking knobs (4) from the handle supports (19) and keep them handy (Fig. 1).



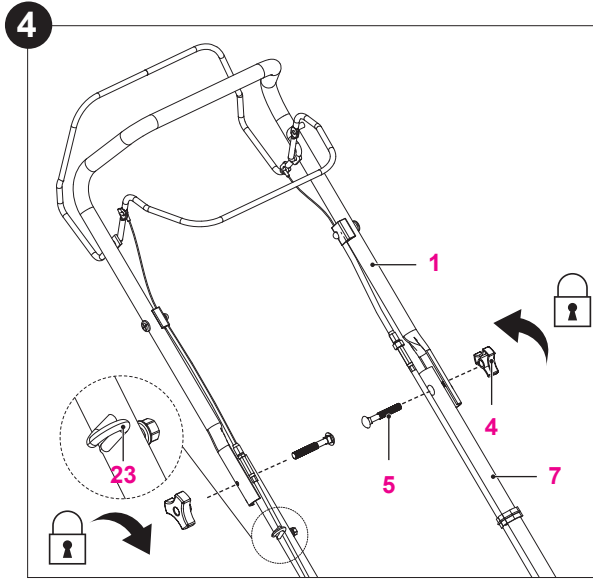
- Align the holes in the lower handle bars (7) with those in the handle supports (19) (Fig. 2). The handle bar with hook for recoil starter handle (23) should be fitted on the right-hand side when standing behind the product (Fig. 2).



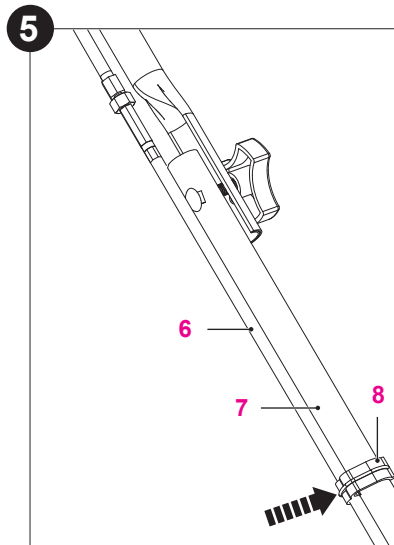
- Fix the lower handle bars (7) to the handle supports (19) using M8x35 bolts (20) and locking knobs (4) (Fig. 3).



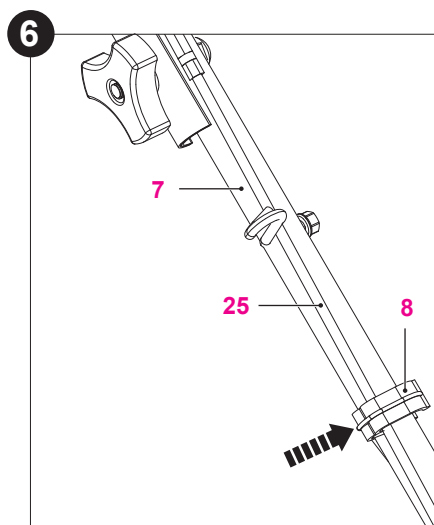
- Align the mounting holes of the upper handle bar (1) with the ones on the lower handle bars (7). Align the hook for recoil starter handle (23) upwards. Secure the connection using M8x43 bolts (5) and locking knobs (4) (Fig. 4).



- Fix the drive wire (6) with the wire clip (8) to the lower handle bar (7) (Fig. 5).

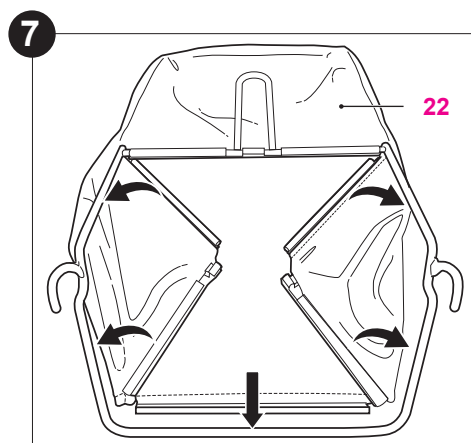


6. Fix the brake wire (25) with the wire clip (8) to the lower handle bar (7) (Fig. 6).



Grass catcher assembly

1. Attach the grass catcher's bag to it's frame (Fig. 7).

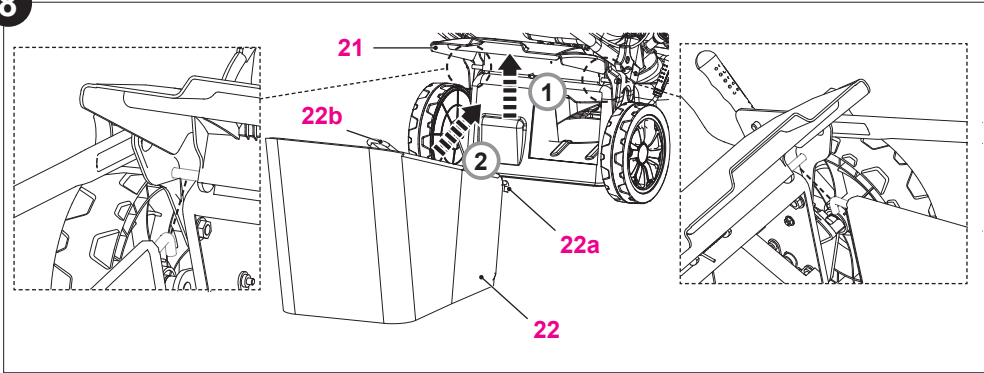


Grass catcher installation

Always carry the grass catcher (22) by its handle (22b).

1. Lift the rear deflector guard (21) and hold it in place (Fig. 8, step 1).
2. Align the hooks (22a) with the rod to hang it onto (Fig. 8, step 2).
3. Carefully release the rear deflector guard (21) afterwards.

8



Fuel and engine oil

This product is equipped with a 4-stroke engine. Before operation, it is necessary to add suitable fuel and engine oil separately.

1. Place the product on a stable, level surface. We recommend laying a non-flammable sheet under the product.
2. Use proper funnels. Avoid spilling and overfilling the tanks.



WARNING! Fuel and oil are highly inflammable! Fumes will explode if lit! Ensure that there are no naked flames around the product! Do not smoke while filling fuel and oil!

3. Always dispose of fuel, used oil and objects contaminated with them in accordance with local regulations.

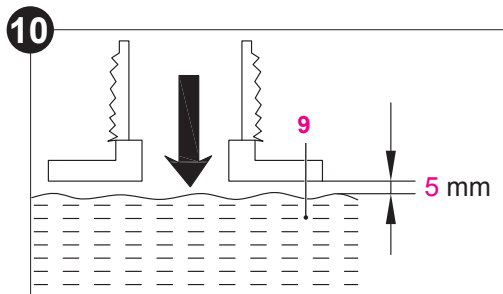
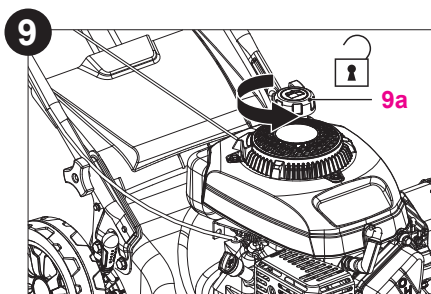
Fuel



NOTE: This product is not supplied with fuel! Before operating, it is essential to fill it with fuel! Fill fuel and engine oil separately. Never mix oil with fuel!



1. Always use clean, fresh unleaded petrol. Purchase fuel in quantities that can be used up within 30 days.
2. Avoid getting dirt, dust or water in the fuel tank (9).
3. Unscrew and remove the fuel tank cap (9a) (Fig. 9).
4. Add suitable fuel into the fuel tank (9). Leave a minimum 5 mm of space between the top of the fuel and the inside edge of the tank to allow for expansion (Fig. 10).



NOTE: Petrol deteriorates over time. It may be difficult to start the engine if you use petrol which has been kept for more than 30 days. Towards the end of the season, it is advisable to put only as much fuel in the tank (9) as you need for each use since it should be completely used up before storing the product.

Always empty the fuel tank (9) when storing the product for over 30 days.

5. Wipe any spilt fuel with a soft cloth and reattach the fuel tank cap (9a).



NOTE: Fuel can damage paint and plastic. When filling the tank (9), take care not to spill any fuel. Damages caused by spills are not covered by the guarantee.

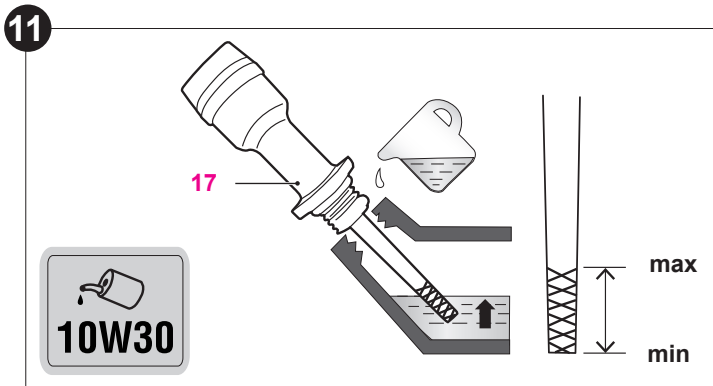
Engine oil



WARNING! This product is not supplied with oil. However, for manufacturing reasons, it is possible that a small quantity may be in the engine! Before operating this product, it is essential to fill it with oil (4-stroke engine oil, e.g. SAE 10W-30)!

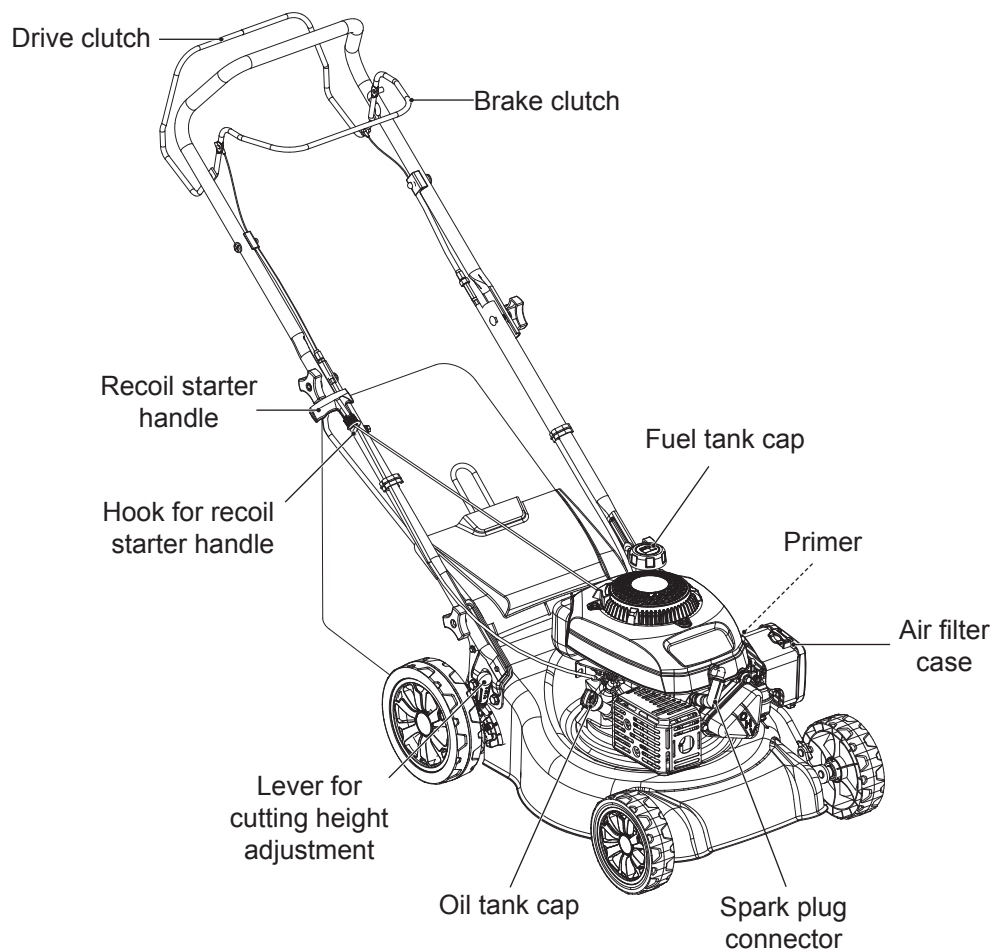
Engine oil has a significant influence on engine performance and service life. Non-detergent or 2-cycle engine oils will damage the engine and should not be used.

1. Unscrew and remove the oil tank cap (17).
2. Gradually add good-quality engine oil (SAE 10W-30). Allow the oil to settle.
3. Check the oil level frequently while filling. Wipe off oil dipstick and insert it into the tank opening without tightening the cap, and then remove the dipstick again.
4. The oil level must be between the oil level markings (approx. 400 ml). Add more oil if necessary. Do not overfill (Fig. 11).



5. After filling oil, wait 1 minute and then recheck the oil level.
6. Wipe the spilt oil with a soft cloth and reattach the oil tank cap (17).

Operating controls



Preparation



Assemble



Adjust



Add fuel



Add oil

Starting



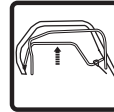
Press primer
3 times
(for cold engine)



Pull
brake clutch



Pull recoil
starter handle
until engine
starts



Pull
drive clutch



Operate

Stopping



Release drive clutch



Release brake clutch

Storage



Empty fuel tank



Empty oil



Clean and maintain



Store



WARNING! This quick start provides only a short overview of how to start and stop the product! For safe use it is essential to read the entire instruction manual before first use!

In more detail...



Product functions	27
Operation	31
Care and maintenance	34
Troubleshooting	44
Recycling and disposal	46
Guarantee	46
EC declaration of conformity	47

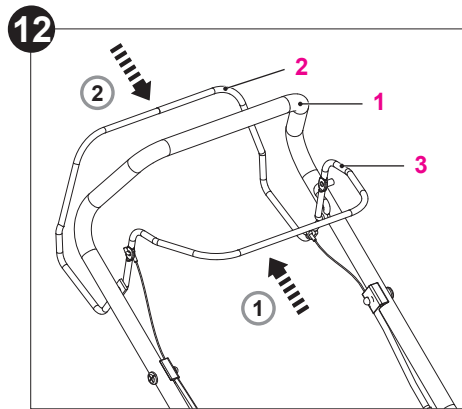
Intended use

This petrol lawnmower **FPLMP138** is designated with a power output of **2.1 kW**.

1. The product is intended for mowing grass in domestic gardens only. It must not be used to mow unusually high, dry or wet grass (e.g. pasture grass), for shredding leaves or mulching.
2. For safety reasons it is essential to read the entire instruction manual before the first operation and to observe all the instructions therein.
3. This product is intended for private domestic use only, not for any commercial use. It must not be used for any purposes other than those described.

Brake clutch

1. Pull the brake clutch (3) towards the upper handle bar (1) and hold it in position when starting the engine and during operation (Fig. 12, step 1).
2. Release the brake clutch (3) to stop the engine.



Drive clutch (self-propelled function)

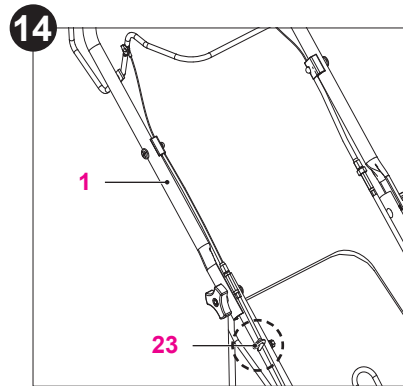
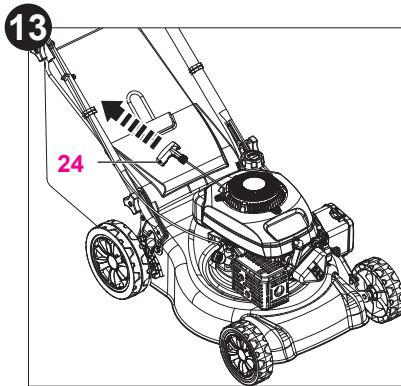
Use the self-propelled function as an assistance during operation; the engine automatically drives the rear wheels; you do not need to push the product manually.

1. Pull the drive clutch (2) towards the handle (1) to engage the wheels (16) (Fig. 12, step 2).
2. To reverse, release the drive clutch (2) to disengage the wheels (16) and manually pull the product backwards.

Recoil starter

The recoil starter handle (24) is positioned at the top of the engine.

1. Pull the brake clutch (3) towards the upper handle bar (1) and hold it in position (Fig. 12).
2. Pull the recoil starter handle (24) lightly until you feel resistance then pull it rapidly. Do it repeatedly until the engine starts (Fig. 13).
3. During operation rest the recoil starter handle (24) onto a hook (23) located on the right-hand side of the upper handle bar (1) (Fig. 14).



WARNING! Never twist the starter cord around your hand! Only pull on the recoil starter handle (24)!



WARNING! Do not suddenly release the recoil starter handle (24)! Allow the rope to return slowly and in a controlled manner each time it is pulled!

Grass catcher



WARNING! Always attach the grass catcher (22) when using this product - danger of flying objects! Always carry the grass catcher by its handle (22b).

Emptying



WARNING! Before removing the grass catcher (22) stop the engine and wait until the blade (26) comes to a complete stop.

Empty the grass catcher (22) frequently during use. Do not wait until it is full. We recommend emptying when it is 90% full.



NOTE: A full grass catcher (22) reduces the performance of the product.

1. Lift the rear deflector guard (21) and hold it in place.
2. Lift the grass catcher hooks (22a) off the rods and place the grass catcher (22) on the ground.
3. Remove the grass clippings from the discharge chute (28) into the grass catcher (22). Use a proper tool such as a brush.



WARNING! Never use your hands or feet to remove grass clippings from the discharge chute (28)!

4. Empty the grass clippings onto a compost heap.
5. Re-fit the grass catcher hooks (22a) onto the rods.

Grass catcher inspection

During use the grass catcher (22) material is subjected to normal wear and tear. An excessively worn grass bag may allow the objects to be thrown towards the operator. Replace a worn grass bag to prevent possible injury.

Cutting height adjustment



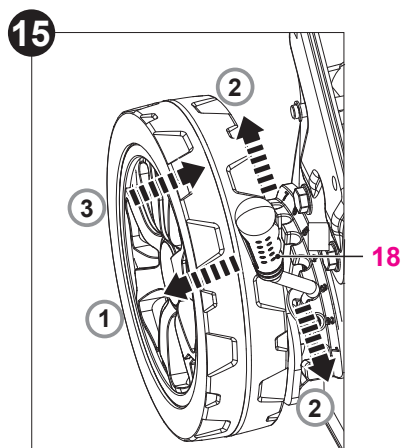
WARNING! Before adjusting the cutting height, stop the engine and wait until the blade (26) comes to a complete stop.

This product can be adjusted to 7 different height settings. The cutting height depends on the kind of lawn and its actual height. When mowing high grass, start with the maximum cutting height and make a second cut with lower cutting height. New or thick grass may require a higher cutting height and a narrower cutting path.

1. Pull the lever for cutting height adjustment (18) towards the wheel (16) (Fig. 15, step 1), and then move it forward or backward to the desired cutting height (Fig. 15, step 2).
2. Release the lever (18) and ensure it engages into place properly (Fig. 15, step 3).



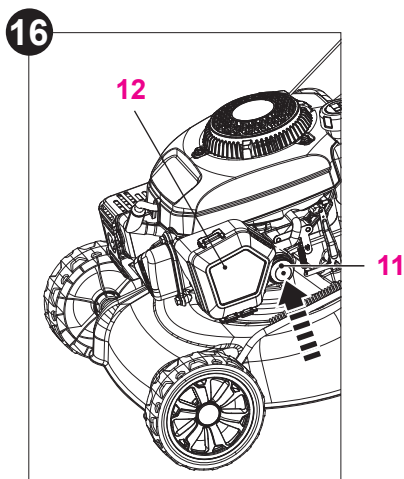
NOTE: If you are not sure what cutting height should be selected, start with a maximum height and check the appearance of the lawn after mowing a small area. Adjust the setting if necessary.



WARNING! Ensure that the lever (18) engages between two of the grooves!

Primer

The primer (11) is positioned beside of the air filter case (12). Push the primer 3 times before starting the cold engine (Fig. 16).



General operation tips

1. Before each use:
 - > Check the product and accessories for damage and whether they are properly fixed. Do not use the product if it is damaged or shows signs of wear and tear. Take care of any problem you find or have the product checked by qualified specialist.
 - > Check the fuel and oil level. Refill if necessary.
 - > Look around and underneath the product for signs of oil or fuel spill.
 - > Check each control for proper operation.
 - > Check blades for wear.
 - > Make sure that all bolts and screws are tightened.
 - > Check if the air filter (12a) is clean.
2. Always push the product using the upper handle bar (1). Use the self-propelling function if required. Keep the handle bar dry and free from lubricant to ensure safe support.
3. To reverse, release the drive clutch (2) and manually pull the product backwards.
4. Ensure that the air vents (10) are always unobstructed and clear. Clean them if necessary with a soft brush. Blocked air vents may lead to overheating and damage the product.
5. Stop the engine immediately if you are disturbed while working by other people entering the working area. Always let the product come to a complete stop before leaving the product unattended.
6. Do not overwork yourself. Take regular breaks to ensure you can concentrate on the work and have full control over the product.

Starting/Stopping



WARNING! Before starting, place the product on a stable, level surface free of high grass! Clean the underside of the product!

Keep yourself ready! The product starts moving forward once the drive clutch (2) is moved towards the upper handle bar (1)!

Start the engine carefully according to instructions. Keep your feet well away from the blade (26)!

Do not tilt the product when starting the engine.

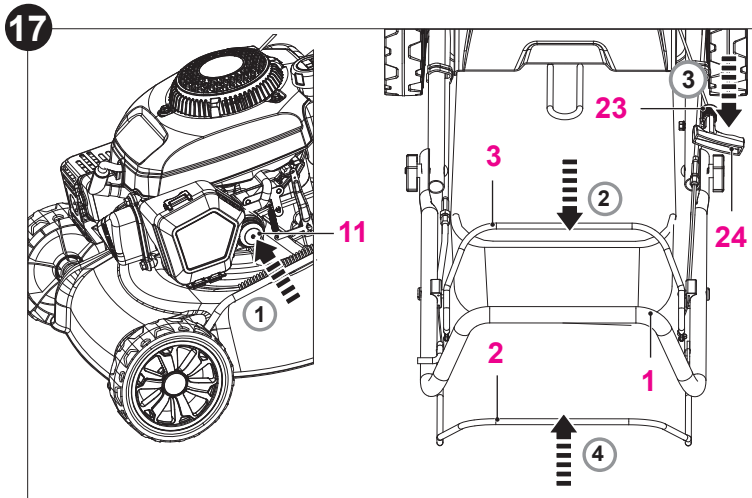
1. Press the primer (11) 3 times (Fig. 17, step 1). Do not use the primer (11) when the engine is warm.
2. Stand behind the upper handle bar (1).
3. Pull the brake clutch (3) against the upper handle bar (1) and hold it in position with one hand (Fig. 17, step 2).

4. Pull the recoil starter handle (24) lightly until you feel resistance then pull it rapidly. Do it repeatedly until the engine starts (Fig. 17, step 3).
5. Rest the recoil starter handle (24) onto a hook (23) located on the right-hand side of the upper handle bar (1).

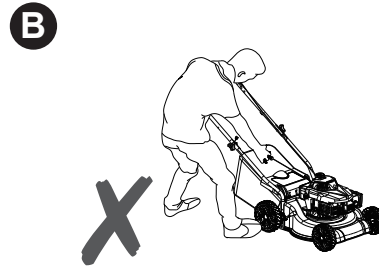


NOTE: If the engine does not start after repeated attempts, repeat steps 1 to 4 of the starting procedure.

6. When you are ready to mow, hold the brake clutch (3) with one hand, and pull the drive clutch (2) towards the upper handle bar (1) (Fig. 17, step 4). The product starts moving forward and begins mowing.



WARNING! The starting position should be as described in the instruction manual. Fig. A illustrates the defined starting position. The operator should start the engine behind the upper handle bar (1). Do not start the engine while standing on the side of the product as shown on Fig. B.

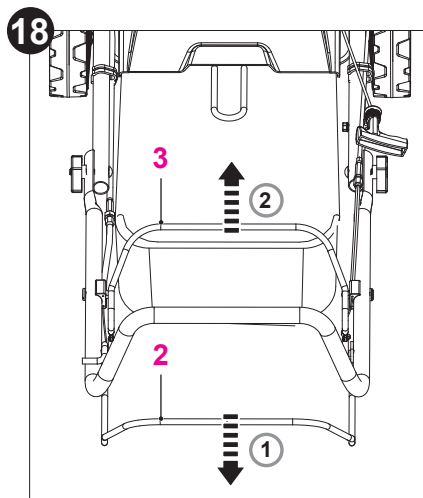


NOTE: If the engine does not start, it may be flooded. Flooding is caused by too much fuel injected into the combustion chamber and can prevent the engine from starting. To resolve flooding follow the below procedure:

1. Remove the spark plug (14a) and dry it.
2. Pull the recoil starter handle (24) for several times to drain the fuel from the combustion chamber.
3. Wait for 10 minutes until fuel vapours and refit the spark plug (14a). Clean up any spilt fuel and move the product at least 3 metres away before starting the engine to avoid any accidental fire.

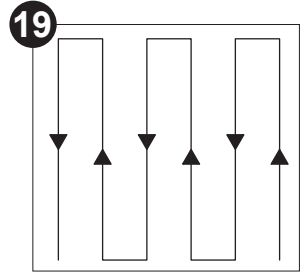
Stopping

1. Release the drive clutch (2) to stop the self-propelled function (Fig. 18, step 1).
2. Release the brake clutch (3) to stop the engine and blade (26) (Fig. 18, step 2).



Mowing

1. Make sure that the lawn is clear of stones, sticks, wires or other objects that could damage the product or its engine.
2. Do not cut wet grass because it tends to stick to the underbody of the product, preventing the proper discharge of grass clippings, and it could also cause you to slip and fall.
3. Never cut off more than one-third of the total length of the grass for a healthy lawn. In the autumn, lawns should only be cut as long as there is growth.
4. Slowly push the product forward. Use the self-propelled function for assistance.
5. Mow in slightly overlapping rows. The most effective pattern for mowing lawns is straight lines along one of the sides. This keeps the rows even and ensures that all the lawn is cut without missing any spots (Fig. 19).
6. Circle around flower beds. When reaching a flower bed in the middle of the lawn, cut a row or two around the circumference of the bed.
7. Pay particular attention when changing direction.
8. Empty the grass catcher (22) regularly.



WARNING! Extensive vibration of the product during operation is an indication of damage! Stop the engine immediately. The product should be promptly inspected and repaired!

After use

1. Stop the engine, disconnect the spark plug connector (14) and let the product cool.
2. Check, clean and store the product as described below.

The golden rules for care



DANGER! Proper maintenance is essential for safe and trouble free operation. Improper maintenance, or failure to address a problem instantly can cause a malfunction which can result in serious injury or even death.



WARNING! Stop the engine, disconnect the spark plug connector (14) and let the product cool before performing inspection, maintenance and cleaning work!



Do not touch the rotating blade (26).

1. Keep the product clean. Remove debris after each use and before storage.
2. Regular and proper cleaning helps to ensure safe operation and prolongs the life of the product.
3. Inspect the product before each use for worn and damaged parts. Do not operate it if you find broken and worn parts. Replace worn parts as necessary or contact an authorised service centre for repair before using the product again.



WARNING! Only perform repairs and maintenance work according to these instructions! All further works must be performed by a qualified specialist!

Cleaning

1. Clean the product with a slightly damp cloth and mild soap. Use a brush for areas that are hard to reach.
2. In particular, clean the air vents (10) after every use with a cloth and brush.
3. Remove stubborn dirt with high pressure air (max. 3 bar).



NOTE: Do not use chemical, alkaline, abrasive or other aggressive detergents or disinfectants to clean this product as they might be harmful to its surfaces.

Maintenance

Before and after each use, check the product and accessories for wear and damage. If required, exchange them for new ones as described in this instruction manual. Observe the technical requirements.



WARNING! It is required to tip the product when performing the maintenance. The fuel tank (9) must be empty, or fuel can leak which could result in fire or explosion.



NOTE: Always empty the fuel tank (9) and keep the spark plug (14a) upside down. Otherwise, the fuel or engine oil might contaminate the air filter (12a)/spark plug (14a) and might make it difficult start the engine.

Maintenance table with schedules

Part	To do	Before/ after each use	First month or 5 hours	Every 3 months or 25 hours	Every 6 months or 50 hours	Every year or 100 hours	Every 2 years or 250 hours	
Engine oil	check	x						
	replace				x			
Air filter	check	x						
	clean replace			x			x	
Spark plug	check/adjust			x				
	clean replace			x			x	
Spark plug cap	clean					x		
Fuel tank	clean			x				
Fuel tube	clean		Every 2 years (replace if necessary)					
Valve clearance	check/ adjust					x		
	check					x		
Muffler	clean					x		
	replace					x		
Combustion chamber	clean		Every 200 hours					
Flywheel brake pad	check				x			

Underbody and cutting means



WARNING! Wear protective gloves when working on the cutting means (26) and close to it! Use proper tools to remove debris, e.g. a wooden stick! Never use your bare hands!



Always use original spare parts for replacement. The cutting means must be replaced by an identical type with the reference number SMV 1816211. Do not attach any other type of cutting means (26)!

The replacement of the cutting means (26) should be done by an experienced operator! Rework or sharpening blades is not recommended unless it is done by a repair service or a similarly qualified specialist!



NOTE: We strongly recommend jacking the product when performing inspection and work on the cutting means (26). Avoid tilting the product in order to prevent fuel and oil leakages.

1. Keep the underbody and cutting means (26) clean and free of debris. Remove clippings from the discharge chute (28).
2. Check all nuts and bolts periodically for tightness before the operation. After prolonged use, especially in sandy soil conditions, the cutting means (26) will become worn and lose some of the original shape. The cutting efficiency will be reduced, and the cutting means should be replaced.
3. Keep the cutting means (26) sharp to ensure a good cutting performance. Replace a worn or damaged cutting means (26) with a new one of the same type or have it sharpened by a qualified specialist.
4. If jacking the product is not possible, tilt it to the right side so that the fuel tank cap (9a) side is up. This helps to prevent fuel leakage and harder starting due to flooding of the carburettor.
5. Loosen the hex bolt (26e) anti-clockwise and remove it together with the washer (26d) and cutting means (26) (Fig. 20).
6. Replace the cutting means (26) with a new one of the same type. Secure with washer (26d) and hex bolt (26e). Tighten the hex bolt clockwise with 40-45 Nm force to ensure safe operation of the product (Fig. 20).

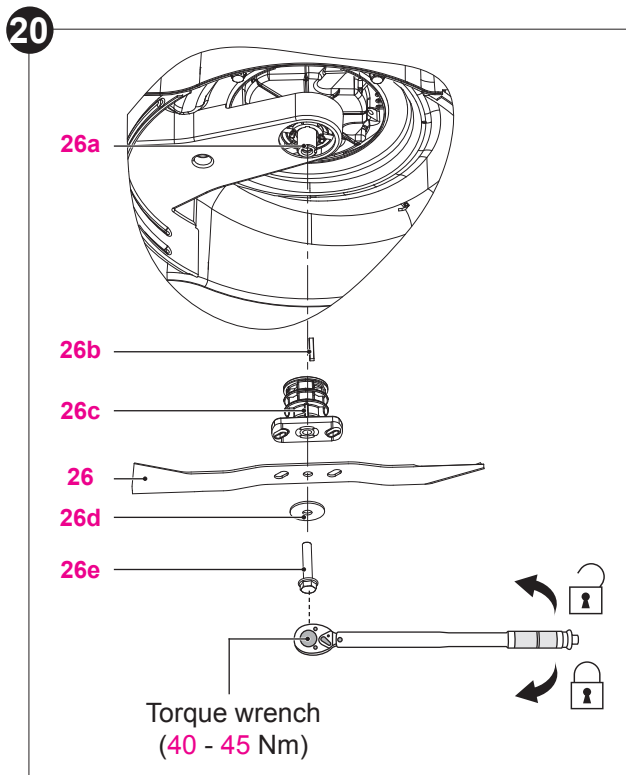


DANGER! If the cutting means (26) are not torqued properly, they could become loose and be thrown from the product and seriously hurt or kill the operator or bystanders.



NOTE: Replace the cutting means (26) after 50 hours of mowing, or 2 years whichever is sooner regardless of condition. If the cutting means (26) is cracked or damaged, replace it immediately.

- Lubricate the cutting means (26) after each use to prolong their lifespan. Apply lubrication oil/grease along the edges of the cutting means (26).



Grass catcher

- Inspect the grass catcher (22) before each use. Do not use it if you find any damage.
- Clean the grass catcher (22) after operation using water and mild soap.
- Let the grass catcher (22) dry thoroughly before storing to avoid mildew.

Wires

Check the performance of the wires (6, 25) before each use. Ask a qualified specialist to adjust it if necessary.



WARNING! Do not use the product with a defective or loose wire(s)!

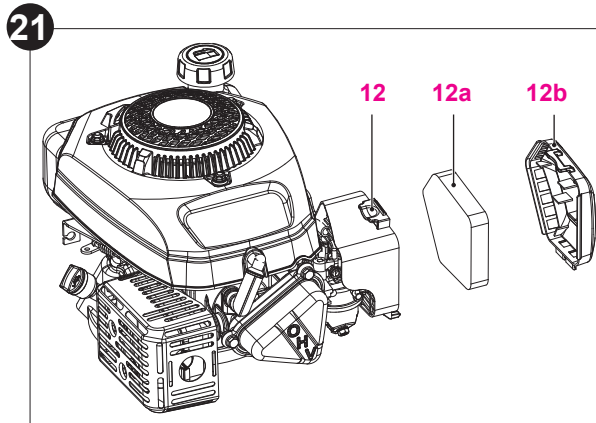
Air filter



NOTE: A properly maintained air filter (12a) helps to prevent dirt from entering the engine. Entering dirt can cause blockages that can lead to premature engine wear or problems with starting or running the engine.

Wash the air filter (12a) every 25 hours (in dusty conditions or when airborne debris is present, clean more often).

1. Inspect the air filter (12a) regularly. Replace it with a new one if necessary.
2. Remove the cover (12b).
3. Remove the air filter (12a) and tap it on a solid surface to remove dust (Fig. 21). Clean it with clean water.
4. Apply a small amount of foam air filter oil on the air filter (12a) to increase its performance. Wipe out surplus oil and put the air filter (12a) back into the case (12).



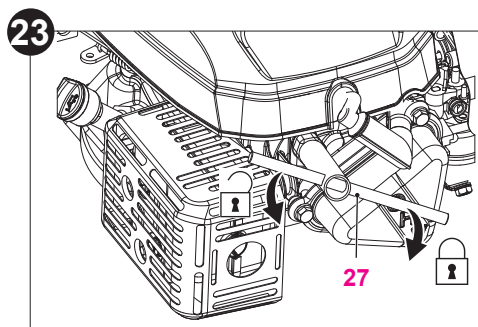
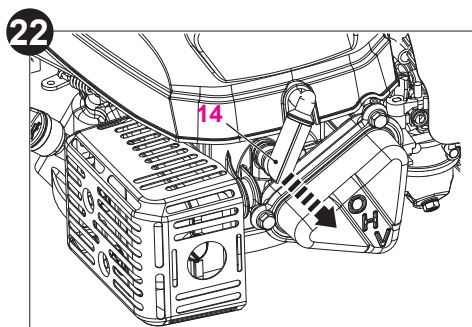
Spark plug



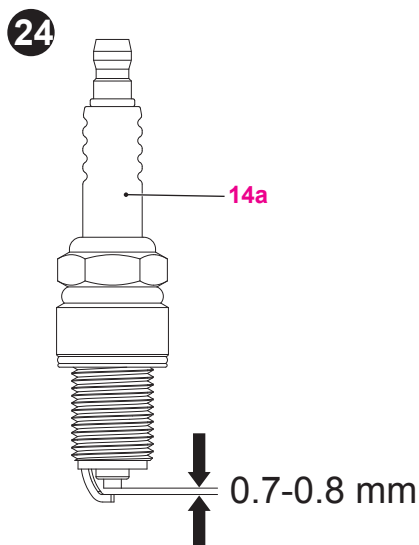
NOTE: For good performance, the spark plug (14a) must be properly gapped and free of deposits.

Inspect the spark plug (14a) every 25 hours or before long-term storage over 180 days. Clean or replace with a new one if necessary (type: LD K7TC).

1. Disconnect the spark plug connector (14) (Fig. 22).
2. Loosen the spark plug anti-clockwise using the spark plug wrench (27) and remove it carefully (Fig. 23).



3. Check the spark plug (14a) for damage and wear. The colour of the electrode should be light-brown.
4. Remove the deposits from the electrode with a soft wired brush. Avoid heavy cleaning of the electrode.
5. Dry the spark plug (14a) with a soft cloth, if it is wet from fuel.
6. Check the spark plug gap. It should be 0.7-0.8 mm (Fig. 24).



7. Replace with a new spark plug if either the electrode or the insulation is damaged.
8. When replacing the spark plug (14a), first screw it in hand tight and then lightly tighten it with the spark plug wrench (27).



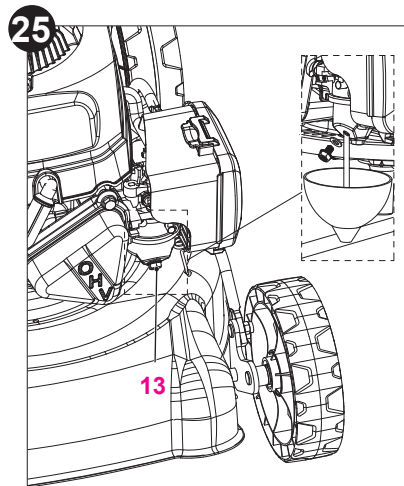
WARNING! Do not over tighten the spark plug (14a) to avoid any damage!

Fuel



NOTE: Petrol deteriorates over time. Engine starting may be difficult if you use petrol kept for more than 30 days.

1. Empty the fuel tank (9) when storing the product over 30 days to prevent the fuel deteriorating.
2. Place a suitable container under the fuel drain screw (13) to collect the fuel.
3. Unscrew the fuel drain screw (13) and let the fuel run into the container (Fig. 25).



4. Screw the fuel drain screw (13) back in and tighten it.
5. Wipe spilt fuel up.
6. Before re-use, refill the fuel tank (9) as described in the section “Fuel and engine oil – Fuel.”

Checking engine oil



NOTE: Check the oil level and quality before each use.

The oil must be replaced after every 6 months or after 50 hours of operation.

1. Unscrew and remove the oil tank cap (17).
2. Gradually add good-quality engine oil (SAE 10W-30). Allow the oil to settle.
3. Check the oil level frequently while filling. Wipe off oil dipstick and insert it into the tank opening without tightening the cap, and then remove the dipstick again.
4. The oil level must be between the oil level markings (approx. 400 ml). Add more oil if necessary. Do not overfill.

5. After filling oil, wait **1** minute and then recheck the oil level.
6. Wipe the spilled oil with a soft cloth and reattach the oil tank cap (**17**).

Draining engine oil



NOTE: Drain the oil every 50 hours of operation or every 6 months.

1. Unscrew the oil tank cap (**17**).
2. Place a suitable container next to the product.
3. Tilt the product to the side to drain the oil into the oil container.
4. Clean the product from the oil spills afterwards.

Carburettor

The carburettor is preset by the manufacturer. Should it be necessary to make any changes, contact an authorised service centre or a similarly qualified specialist. Do not attempt to make any adjustments by yourself.

Muffler

Should it be necessary to modify or replace the muffler, contact an authorised service centre or a similarly qualified specialist. Do not attempt to make any adjustments by yourself.

Valve play

Have a qualified specialist check and adjust the valve play. Details for the specialist: **IN** = **0.1-0.15** mm, **EX** = **0.15-0.2** mm.

Spare parts/Replacement parts

The following parts of this product may be replaced by the consumer. Spare parts are available at an authorised dealer or through our customer service.

Description	Model no. or Specification
Blade (26)	SMV 1816211
Spark plug (14a)	LD K7TC (Gap of electrodes: 0.7-0.8 mm) or other model with same specifications

Repair

This product does not contain any parts that can be repaired by the consumer. Contact an authorised service centre or a similarly qualified specialist to have it checked and repaired.

Storage



NOTE: Good storage conditions are important for keeping your product trouble-free.

1. Stop the engine and disconnect the spark plug connector (14).
2. Clean the product as described in the “Cleaning” section.
3. Store the product and its accessories in a well-ventilated dry storage area.
4. Always store the product in a place that is inaccessible to children. The ideal storage temperature is between 10 °C and 30 °C.
5. We recommend using the original package for storage or covering the product with a suitable cloth or enclosure to protect it against dust.
6. For long-term storage (more than 30 days), drain the fuel tank (9) as described in previous chapter.
7. If you plan to store the product with fuel and oil, it is important to reduce the risk of petrol vapours ignition. To reduce that risk, store the product in a well-ventilated dry storage area, away from any other products that operate with a flame e.g. water heater.

Transportation

1. Stop the engine and disconnect the spark plug connector (14).
2. Adjust the height to the highest position as described in the “Cutting height adjustment” section.
3. Attach transportation guards, if applicable.
4. Always move the product by the upper handle bar (1).
5. If a suitable loading ramp is not available, ask another person for assistance when loading the product on a vehicle.
6. Protect the product from any heavy impacts or strong vibrations which may occur during transportation in vehicles.
7. Secure the product with tie-down straps to prevent it from slipping or falling over.

Suspected malfunctions are often due to causes that the operators can fix themselves. Therefore check the product using this section. In most cases, the problem can be solved quickly.



WARNING! Only perform the steps described in these instructions! All further inspection, maintenance and repair work must be performed by an authorised service centre or a similarly qualified specialist if you cannot solve the problem yourself!

Problem	Possible cause	Solution
1. Engine does not start	1.1 Not enough fuel in the fuel tank	1.1 Add fuel
	1.2 Spark plug is wet	1.2 Dry spark plug
	1.3 Spark plug is damaged	1.3 Replace spark plug
	1.4 Spark plug connector is loose	1.4 Attach properly
	1.5 Lever for cutting height adjustment is not in the correct position for the prevailing conditions	1.5 Move the lever to correct position
	1.6 Air filter is dirty	1.6 Clean the air filter
	1.7 Spark plug is loose	1.7 Tighten the spark plug (20 Nm)
	1.8 Spark plug gap is incorrect	1.8 Set gap between electrodes between 0.7-0.8 mm
	1.9 Carburettor is flooded with fuel	1.9 Remove the air filter and pull recoil starter handle continuously until carburettor clears itself. Reinstall the air filter afterwards
	1.10 Faulty ignition module	1.10 Contact an authorised service centre
2. Engine stops	2.1 Not enough fuel in the fuel tank	2.1 Fill fuel
	2.2 Cutting mean is blocked	2.2 Remove blockage

Problem	Possible cause	Solution
3. Engine difficult to start or loses power	3.1 Dirt, water or stale fuel in the fuel tank 3.2 Air filter is dirty	3.1 Drain fuel and clean tank. Fill the tank with clean, fresh fuel 3.2 Clean air filter
4. Engine operates erratically	4.1 Spark plug is defective 4.2 Spark plug gap is incorrect 4.3 Air filter is dirty	4.1 Install new, correctly gapped plug 4.2 Set gap between 0.7-0.8 mm 4.3 Clean air filter
5. Engine idles poorly	5.1 Air filter is dirty 5.2 Air vents are clogged	5.1 Clean air filter 5.2 Remove debris from vents
6. Engine skips at high speed	6.1 Gap between electrodes of the spark plug is too close	6.1 Set gap between 0.7-0.8 mm
7. Engine overheats	7.1 Air vents are clogged 7.2 Incorrect spark plug	7.1 Remove debris from vents 7.2 Install the correct spark plug
8. Unsatisfactory results	8.1 Cutting mean is dull 8.2 Cutting height is incorrect	8.1 Replace with a new one 8.2 Adjust cutting height
9. Excessive vibration/ noise or exhaust	9.1 Cutting mean is dull/damaged 9.2 Bolts are loose 9.3 Incorrect petrol type	9.1 Replace with a new one 9.2 Tighten all bolts 9.3 Drain the fuel and fill the correct type

Recycling and disposal

1. Old products are potentially recyclable and do not, therefore, belong in your household rubbish. You are requested to assist us and our contribution to saving resources and protecting the environment by handing in this product to an equipped collection centre (if there is one available).
2. Petrol, oil, used oil, a mixture of oil and petrol and objects soiled with oil e.g. cleaning cloths do not belong in the household rubbish. Dispose of oil-contaminated items in accordance with the local guidelines and hand them in at recycling centres.
3. The product comes in a package that protects it against damage during shipping. Keep the package until you are sure that all parts have been delivered and the product is operating properly. Recycle the package afterwards.

Guarantee

This product carries a guarantee of **12 months** starting from the day of purchase. Please retain your receipt as a proof.

This guarantee specifically excludes losses due to:

- Normal wear and tear, including accessory wear
- Overload, misuse or neglect
- Failure of consumable items (such as batteries)
- Repairs attempted by anyone other than an authorised agent
- Accidental damage caused by foreign objects or substances
- Lack of routine maintenance
- Failure to follow manufacturer's guidelines
- Loss of use of the goods

Due to continuous product improvement, we reserve the right to change the product specification without prior notice.

This guarantee does not affect your statutory rights.

For any inquiries relating to the guarantee, contact your retailer: If you purchased this product in B&Q store or website, then call 0333 014 3357. If you bought this product in SFX outlet or website then call 03330 112 112.

After Sale Service Please Call



Hotline : 01904 727514

Email: diy@coreservice.co.uk

Mon-Fri

9am-5pm

Sat-Sun

11am-4pm

SAN: 0380401817ZB

We

Kingfisher International Products Limited
3 Sheldon Square
London W2 6PX
United Kingdom

Declare that the product

Petrol Lawnmower 138 cm³ FPLMP138
Serial number: from **000001** to **999999**

Complies with the essential health and safety requirements of the following directives:

The Machinery Directive 2006/42/EC
EN ISO 5395-1:2013+A1:2018
EN ISO 5395-2:2013+A1:2016+A2:2017

The EMC Directive 2014/30/EU
EN ISO 14982:2009

The Outdoor Noise Directive 2000/14/EC & 2005/88/EC
Measured Sound Power Level: **93.5** dB(A)
Guaranteed Sound Power Level: **96** dB(A)
EN ISO 3744:1995; ISO 11094:1991

Certificate registration number: **GB/1067/6452/18 Issue 1**
Test report No.: **SHES180700812361**

Conformity assessment procedures: Annex VI of the directive
Notified body: NB 1067, AV Technology LTD, Unit 2 Easter Court, Europa Boulevard, Warrington, Cheshire, WA5 7ZB, United Kingdom

The Regulation of Non-Road Mobile Machinery Emissions (EU) 2016/1628, and its supplemented regulations

Engine model: SE560

Authorised Signatory and technical file holder:



Name/Title: Lisa Davis/Group Quality Director
Date: 30.08.2018

Kingfisher International Products Limited
3 Sheldon Square London W2 6PX United Kingdom





Manufacturer:

Kingfisher International Products Limited,
3 Sheldon Square, London, W2 6PX
United Kingdom

Distributor:

B&Q plc, Chandlers Ford, Hants,
SO53 3LE United Kingdom,
www.diy.com

SFD Limited

Trade House, Mead Avenue,
Yeovil, BA22 8RT
United Kingdom
www.screwfix.com